



INSTALLATION INSTRUCTIONS

BUILT-IN COOK TOP **MO-51**

! WARNING AND SAFETY INSTRUCTIONS

- Check label on product to see if unit received has correct voltage & hertz requirements for country of use.
- Never switch on product prior to installation as this will damage the Cook Top.
- This appliance should be installed by a specialist who observes the instructions in this guide. The installer is responsible for any damage caused due to improper installation.
- Do not use an extension lead to connect to mains electricity supply as they may cause damage. Ensure that you are installing into suitable countertop or surface material.
- Do not snap, pull or twist the control box conduit during installation.
- Product should never be forced into misaligned holes as incorrect fit can cause damage to the
- countertop when turned on. Re-check drill holes alignment if needed.
If Cook Top is installed over a drawer do not store heat sensitive materials in it, particularly if
- they could pose a safety risk.
Do not install Cook Top directly above washing machine, refrigeration device, dishwasher or
- other electronic appliances as they may be damage by heat emitted from the underside of Cook Top.
After installation, ensure that the connection cable cannot come into contact with the under-
- side of the appliance.

INSTALLATION ADVICE

Minimum Depth of Countertop

Ask supplier of countertop for their recommendation as the countertop needs to be thicker for less sturdy materials.

Installation into Glass

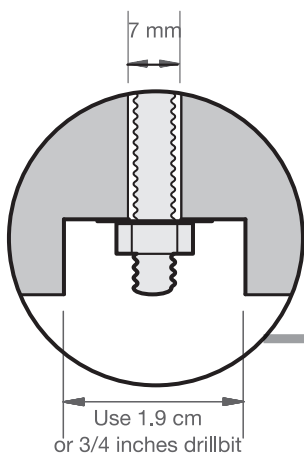
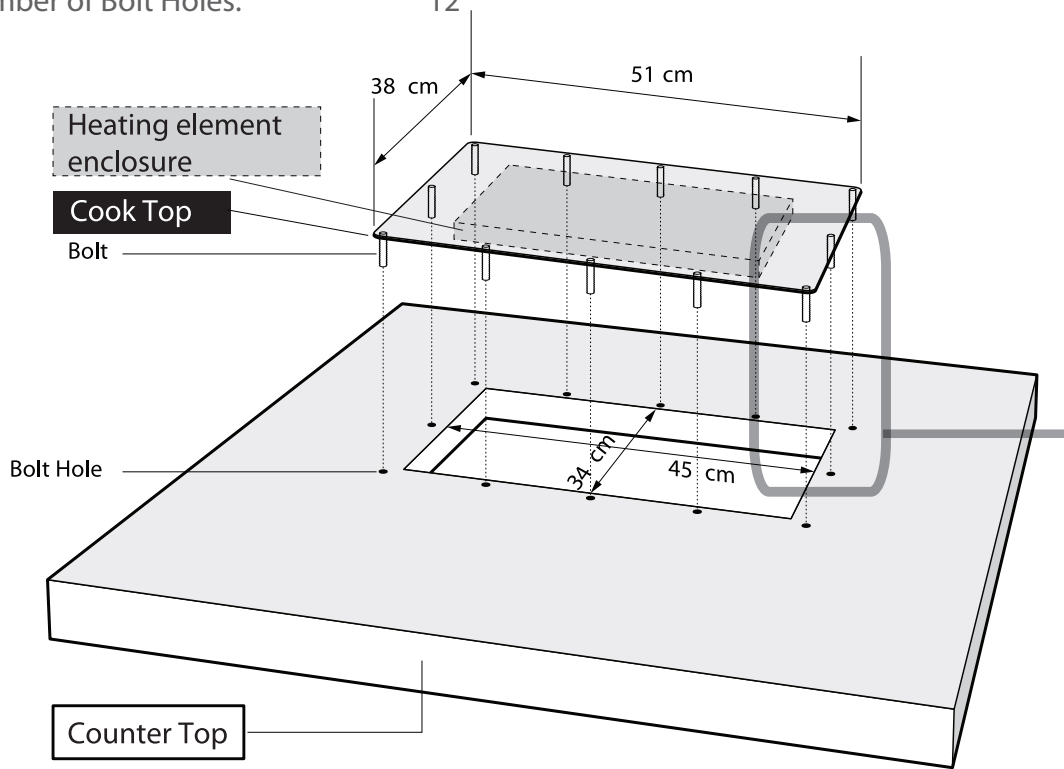
Ask a specialist supplier for expert advice. Take care to note that Tepandine products place considerable stresses on countertops (when the product dips and steel expands) and this is a particular concern for installations into glass. Drilled bolt holes should therefore be 8-9 mm diameter as opposed to the usual 7mm. For any further assistance please contact info@tepanidine.com

Distance from Counter Edge

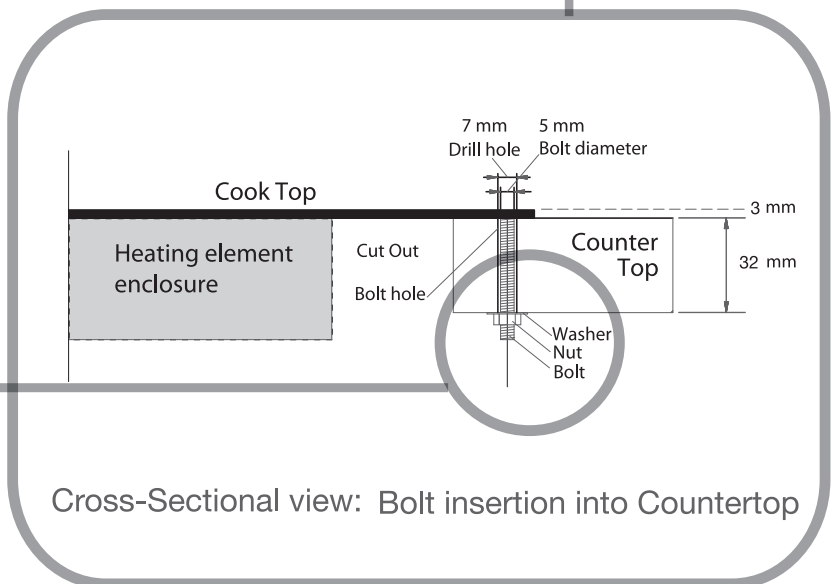
The Cook Top should not overhang the edge. For most materials we recommend a minimum distance of 3 cm from surface edge.

TECHNICAL SPECIFICATIONS
and COOK TOP DIAGRAMS

- Size: 51 cm x 38 cm
- Height: 4 cm
- Cut Out size: 45 cm x 34 cm
- Control Box Conduit Length: 60 cm
- Power Cord Length: 3 meters
- Bolt Length: 45 mm
- Bolt Diameter: 5 mm
- Bolt Hole Diameter: 7 mm
- Number of Bolt Holes: 12



Countersinking Bolt Holes



Cross-Sectional view: Bolt insertion into Countertop

HOW TO INSTALL - COOKTOP

Step 1:

- Plan the surface area for installation and ensure that Control Box cable can reach desired location.

Step 2:

- Use template provided to drill precise bolt hole locations.
- Drill bolt holes (7mm diameter) through entire depth of the counter-top.

Attention: Check to make sure that the correct template has been provided prior to commencement of drilling.

Alternatively
Mark on countertop/ surface the precise bolt hole locations using the information and diagrams provides on page 5 or 6

Step 3:

- If countertop depth is greater than 3.2 cm please refer to "countersinking bolt holes" diagram on page 2

Alternatively
Use bolt extenders provided at point of purchase.

Step 4:

- Make the Cut Out taking care to follow the lines shown on the installation template or using the measurements provided on page 3.

Step 5:

- Test the placement of the bolt holes by sliding Cook Top in to place.
- If strong resistance is met, cease installation and re-check alignment of bolt holes.

Step 6:

- Apply very thin coat of silicon sealer on the underside around the perimeter and slide the Cook Top back in to place.

Step 7:

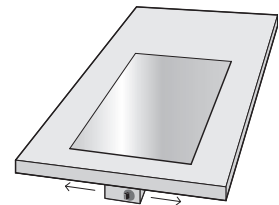
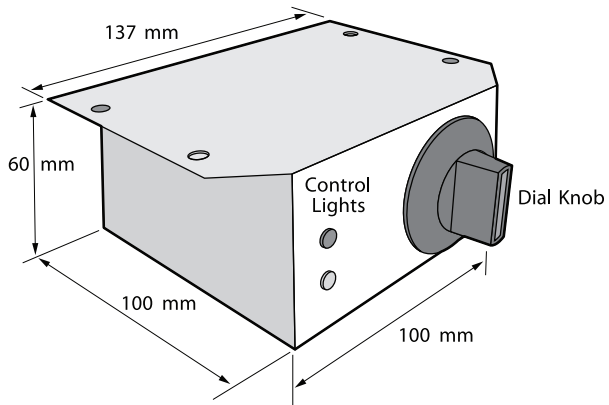
- Fasten bolts with nuts and washers from underneath.

Attention: Nuts should not be excessively tightened. Approximately 75% of max is recommended.

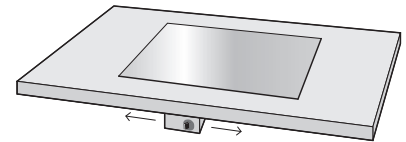
Step 8:

- Installation of Control Boxes. See overleaf.

CONTROL BOX A - Visible Box



Control Box A Short Side



Control Box A Long Side

Step 1: Mark all holes.

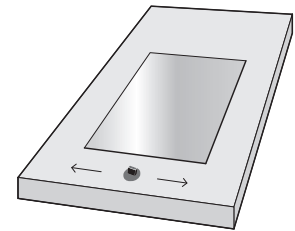
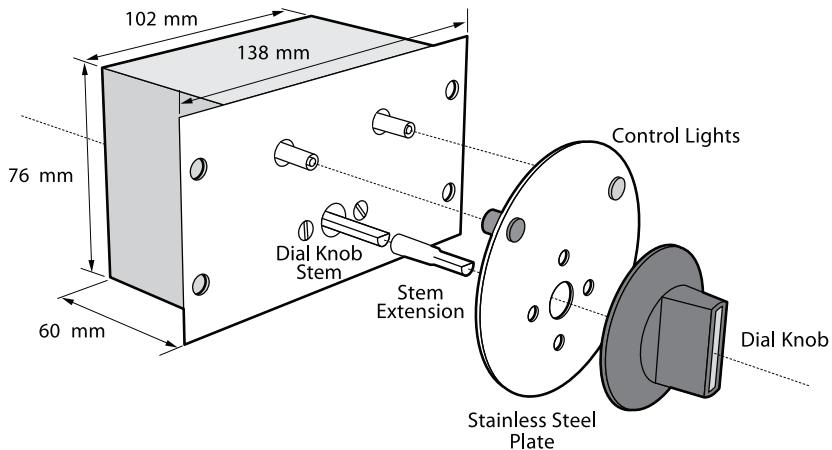
Step 2: Drill and fasten the box with screws.

Step 3: Connect power cable to rear of control box and then connect to mains electricity.

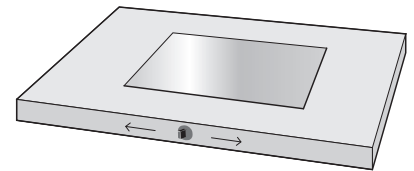
! WARNING

- Do not snap, pull or twist the control box conduit during installation.
- Warranty will expire if capillary tube inside the conduit is damaged during installation.

CONTROL BOX B - Hidden Box



Control Box B Short Side



Control Box B Long Side

! WARNING

- Do not snap, pull or twist the control box conduit during installation.
- Warranty will expire if capillary tube inside the conduit is damaged during installation.

Step 1: Remove package

Step 2: Carefully detach Dial Knob. Do not use excessive force

Step 3: Unplug both control light casings from their sockets by holding the socket with two fingers and gently pulling the plate away from the box.

Step 4: Mark all the necessary drill holes using the precise template provided on page 7.

Step 5: Drill holes and fasten box to the inside of cabinet with 2 screws.

Step 6: Carefully pull light sockets out a little bit and connect to their casings. Slide stainless steel plate into place and affix it with two small screws.

Alternatively

For Granite surfaces you can affix the plate with silicone adhesive.

Step 7: Connect the stem extension to dial knob stem if needed. If you require more please contact point of purchase.

Step 8: Slide dial knob onto stem. Do not use excessive force.

Step 9: Connect power cable to rear of control box and then connect to mains electricity.

CONTROL BOX B TEMPLATE

Scale 1:1

! Attention: Check Template corresponds to precise measurements. If not adjust printer formatting.

